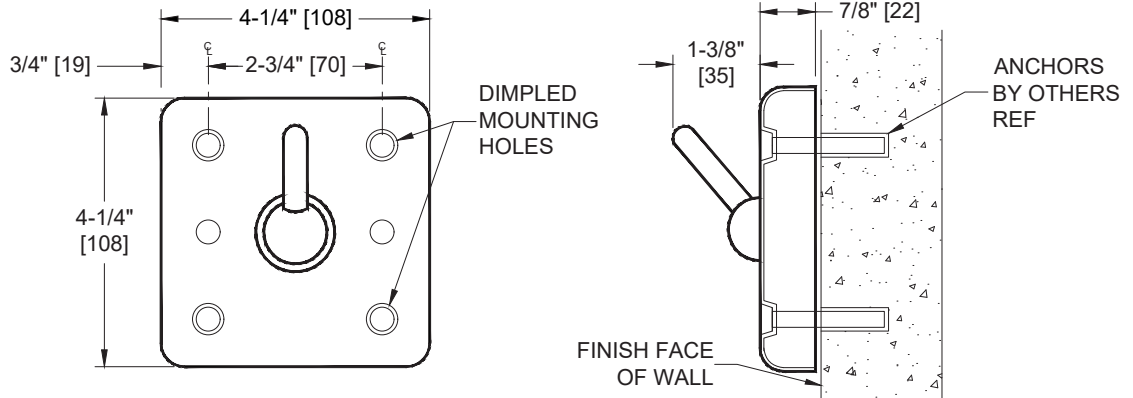


**Clothes Hook, Square – Front Mount**

Security Accessories

MasterFormat Section 10 28 13



Scan for Information



**SUSTAINABILITY/LEED**

MR 4.1 (1) MR 6 (1) EQ 4.2 (1)  
MR 4.2 (1) EQ 4.1 (1) EQ 4.4 (1)

**NOTE:**  
ALL DIM'S INCH [MM]  
ILLUSTRATION FOR REF ONLY AND NTS

**PRODUCT OVERVIEW**

Fabricated of 12 gauge type 304 stainless steel with a satin finish. Back plate is fabricated of 14 gauge stainless steel. If hook is excessively loaded, it will snap down for safety. Square shape. Unit has four holes for front mounting.

**KEY FEATURES & SPECIFICATIONS**

- Built for high security environments
- 1/4-20 button head pinTorx<sup>®</sup> machine screws supplied.
- Type 304 Stainless Steel - Satin Finish
- Front Mount
- Anti-Ligature Snap Down Hook
- 14 gauge wall plate

**OPERATION & MAINTENANCE**

Clothes hook is tensioned to release down when overloaded beyond the 35 lb (16 kg) limit.

**TECHNICAL INFORMATION / PRODUCT PROPERTIES**

Property	Value
Dimensions	3" [76] W x 5" [127] H x 3-1/16" [78] D
Construction	Type 304 Stainless Steel - Satin Finish 12 gauge Anti-Ligature Snap Down Hook
Mounting	Front Mount
Capacity	

**INSTALLATION**

Unit is front mounted to wall or partition using four (4) 1/4-20 x 2" [M6x50] flat head pin-Torx<sup>®</sup> machine screws (supplied) into suitable anchors (by others) or alternate wall preparation (by others). Anchors to be supplied by installer to suit wall condition. For compliance with 2010 ADA Accessibility Standards, install unit so the centerline of the hook is 48" [1219] maximum Above Finished Floor (AFF).

**ADDITIONAL INFORMATION**

N/A

**WARRANTY**

One (1) Year from date of Invoice